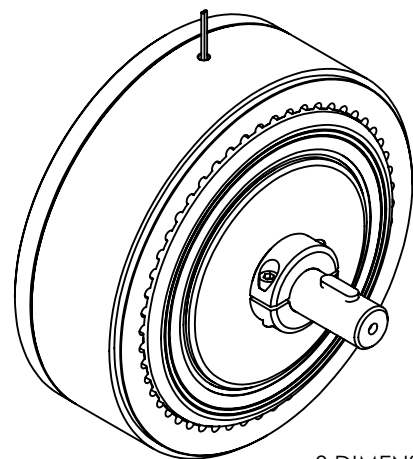
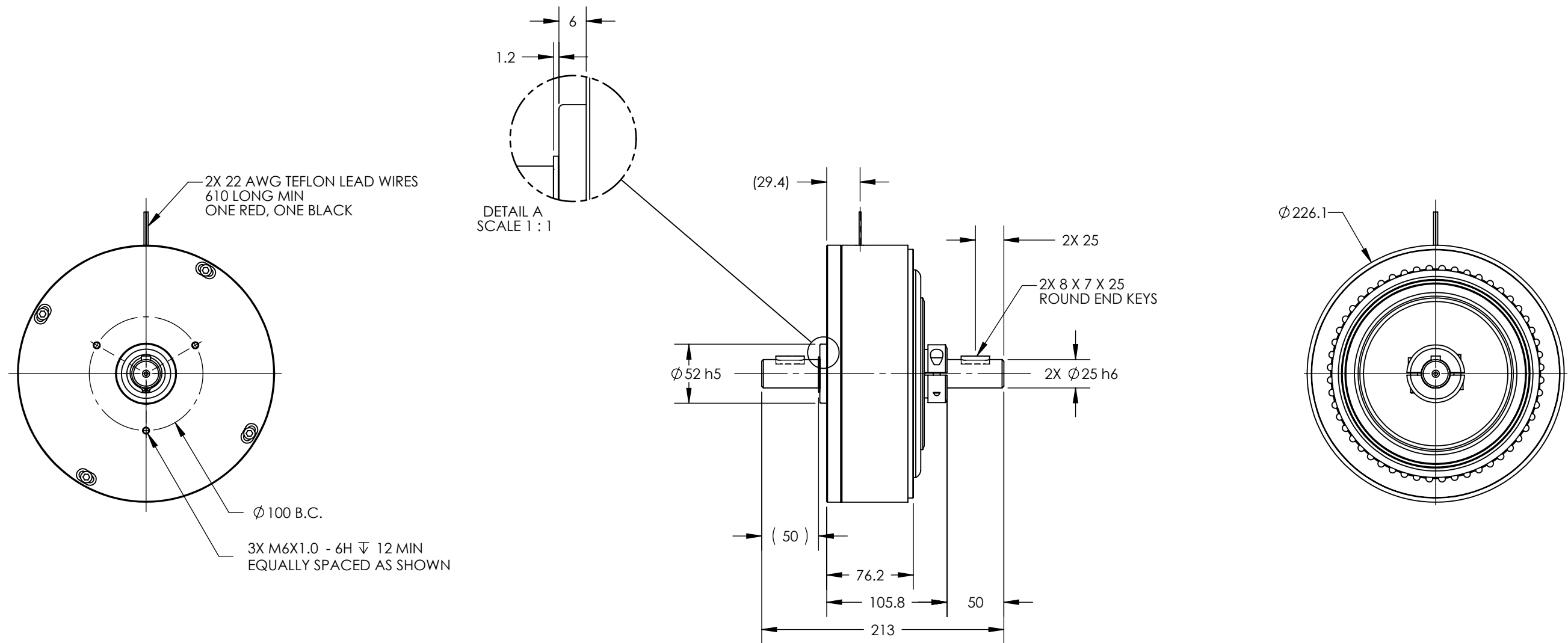


SOLID MODEL AVAILABLE


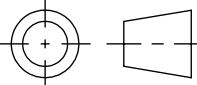
| MODEL | COIL NUMBER (-X) | STOCK CODE | MIN. TORQUE AT RATED CURRENT (Nm) | RATED CURRENT (mA) | RESISTANCE ±10% @ 25°C (ohms) | VOLTAGE (Vdc) | NOMINAL POWER (watts) | MAXIMUM SPEED (RPM) | KINETIC POWER RATINGS | | DE-ENERGIZED DRAG TORQUE @ 1000 RPM (Nm) | EXTERNAL INERTIA (kg cm s ²) | TORQUE TO INERTIA RATIO (rad/s ²) |
|-------------|------------------|------------|-----------------------------------|--------------------|-------------------------------|---------------|-----------------------|---------------------|-----------------------|--------------------|--|--|---|
| | | | | | | | | | 5 MINUTE (watts) | CONTINUOUS (watts) | | | |
| MHB-1750M-X | -1 (90 Vdc) | - | 12.36 | 149 | 604 | 90 | 13.4 | 6,000 | 1,200 | 350 | 9.18 X 10 ⁻² | 5.62 X 10 ¹ | 2,200 |
| | -2 (24 Vdc) | 004684 | | 500 | 52 | 26 | 13 | | | | | | |

13 Nm IS ATTAINABLE @ APPROXIMATELY 600 mA
UNLESS OTHERWISE SPECIFIED, BRAKE IS TO BE MATCHED AT **RATED TORQUE @ RATED CURRENT**



3 DIMENSIONAL VIEW
SCALE 1 : 4

INSTALLATION DRAWING

| | | | | | | |
|---|--|-----|----------|---|---|--|
| MATERIAL: | DESIGN | - | - |  | MAGTROL INC. | |
| | DRAWN | AJC | 12/16/10 | | 70 GARDENVILLE PKWY, W. BUFFALO, NEW YORK 14224-1322 | |
| FINISH: | CHECKED | JEF | 12/16/10 | TITLE: | | |
| | THIRD ANGLE PROJECTION  | | | MHB-1750M MATCHED HYSTERESIS BRAKE, METRIC | | |
| THIS DRAWING AND SPECIFICATION CONTAINS PROPRIETARY INFORMATION TO MAGTROL INC. ANY DISCLOSURE OR REPRODUCTION OF THIS DOCUMENT WITHOUT WRITTEN AUTHORIZATION FROM MAGTROL INC. IS EXPRESSLY PROHIBITED | UNLESS OTHERWISE SPECIFIED: DIMENSIONS ARE IN MILLIMETERS DIAMETERS CONCENTRIC: 0.08 TIR FACES PERPENDICULAR: 0.08 INTERPRETATION PER ASME Y14.5M-1994 REMOVE ALL BURRS AND BREAK SHARP EDGES 0.13/0.25 X 45° INSIDE CORNERS TO BE R 0.5 MAX TOLERANCES: X ± 0.4 X.XX ± 0.13 X.X ± 0.25 ANG ± 1° SURFACE FINISH 3.2 µm MAX | | | USED ON: - | REV | |
| | SIMILAR TO: - | | | DWG NO: | MHB-1750M | |
| | SIZE | | | SCALE | A | |
| | B | | | 1:4 | | |