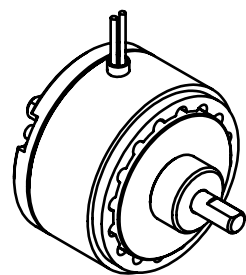
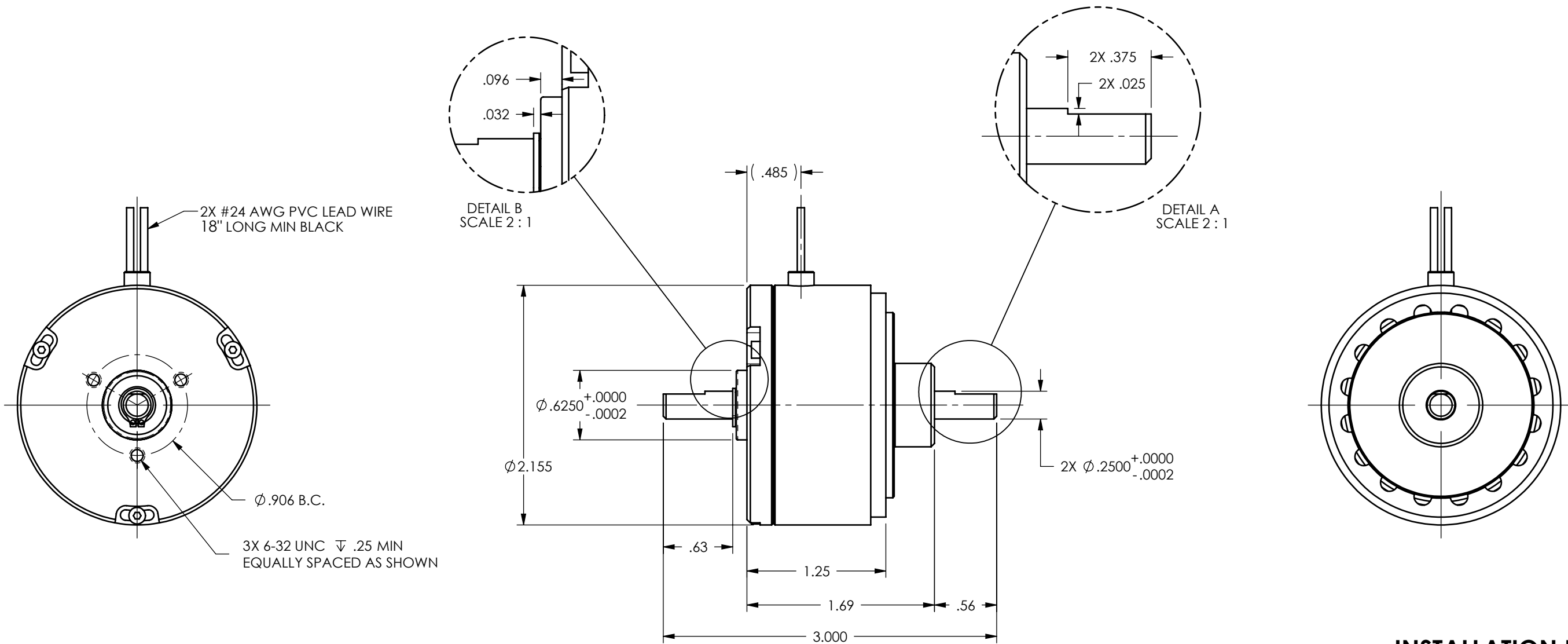


**SOLID MODEL AVAILABLE**


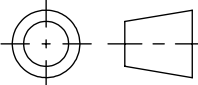
MODEL	COIL NUMBER (-X)	STOCK CODE	MIN. TORQUE AT RATED CURRENT (oz in)	RATED CURRENT (mA)	RESISTANCE ±10% @ 25°C (ohms)	VOLTAGE (Vdc)	NOMINAL POWER (watts)	MAXIMUM SPEED (RPM)	KINETIC POWER RATINGS		DE-ENERGIZED DRAG TORQUE @ 1000 RPM (oz in)	EXTERNAL INERTIA (lb in s <sup>2</sup> )	TORQUE TO INERTIA RATIO (rad/s <sup>2</sup> )
									5 MINUTE (watts)	CONTINUOUS (watts)			
MHB-38-X	-1 (90 Vdc)	004820	38	79	1,052	83	6.6	15,000	90	25	0.2	8.6 X 10 <sup>-5</sup>	27,600
	-2 (24 Vdc)	004821		250	105	26.3	6.6						
	-3 (12 Vdc)	004822		461	26.7	12.3	5.7						

UNLESS OTHERWISE SPECIFIED, BRAKES ARE TO BE MATCHED AT **RATED TORQUE @ RATED CURRENT**



3 DIMENSIONAL VIEW  
SCALE 1 : 2

**INSTALLATION DRAWING**

MATERIAL: -	DESIGN	-	-		<b>MAGTROL INC.</b> 70 GARDENVILLE PKWY, W. BUFFALO, NEW YORK 14224-1322	
	DRAWN	AJC	12/01/01			
FINISH: -	CHECKED	DTW	12/04/01	TITLE: <b>MATCHED HYSTERESIS BRAKE</b>		
	THIRD ANGLE PROJECTION 			UNLESS OTHERWISE SPECIFIED: DIMENSIONS ARE IN INCHES DIAMETERS CONCENTRIC: .003 TIR FACES PERPENDICULAR: .003 INTERPRETATION PER ASME Y14.5M-1994 REMOVE ALL BURRS AND BREAK SHARP EDGES .005/.010 X 45° INSIDE CORNERS TO BE R .02 MAX TOLERANCES: .XX ± .01 X/Y ± 1/64" .XXX ± .005 ANG ± 1° SURFACE FINISH 125 RMS MAX		
THIS DRAWING AND SPECIFICATION CONTAINS PROPRIETARY INFORMATION TO MAGTROL INC. ANY DISCLOSURE OR REPRODUCTION OF THIS DOCUMENT WITHOUT WRITTEN AUTHORIZATION FROM MAGTROL INC. IS EXPRESSLY PROHIBITED				DWG NO: <b>MHB-38</b>		REV <b>B</b>
SIZE <b>B</b>		SCALE <b>1:1</b>				