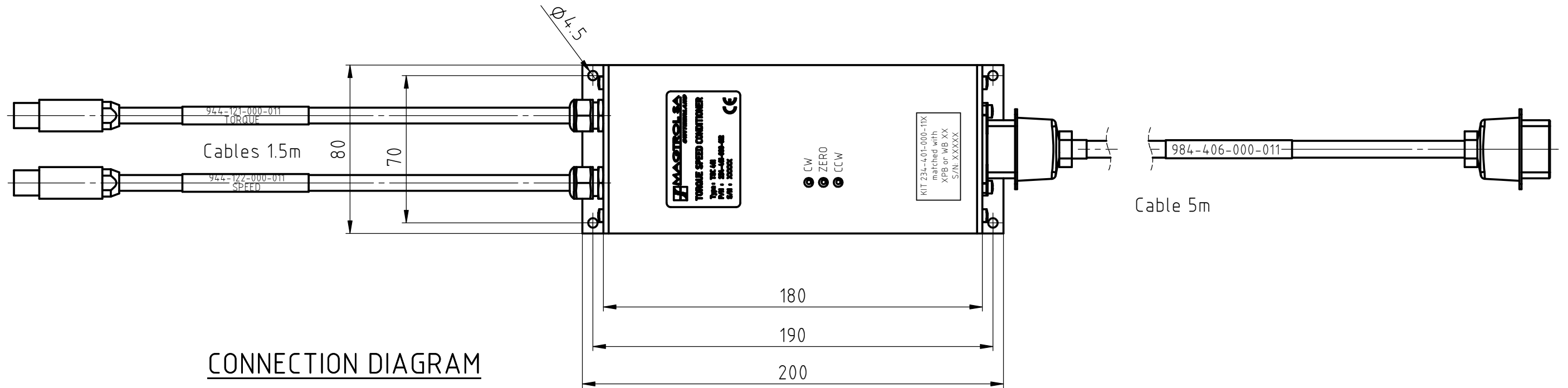
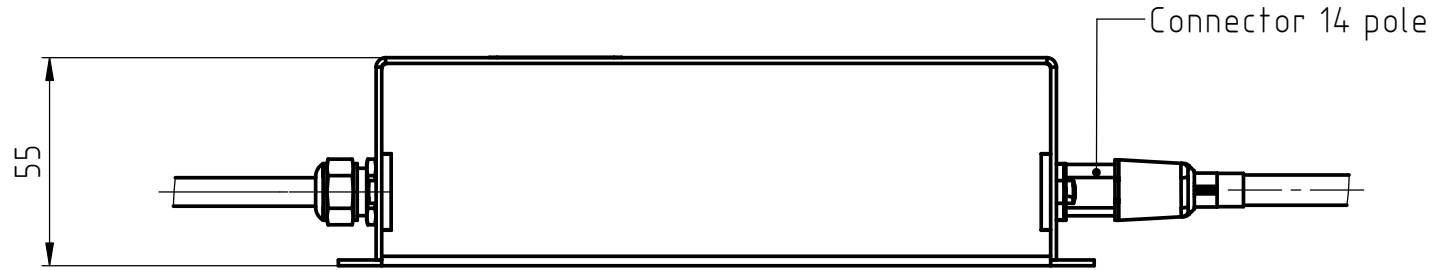
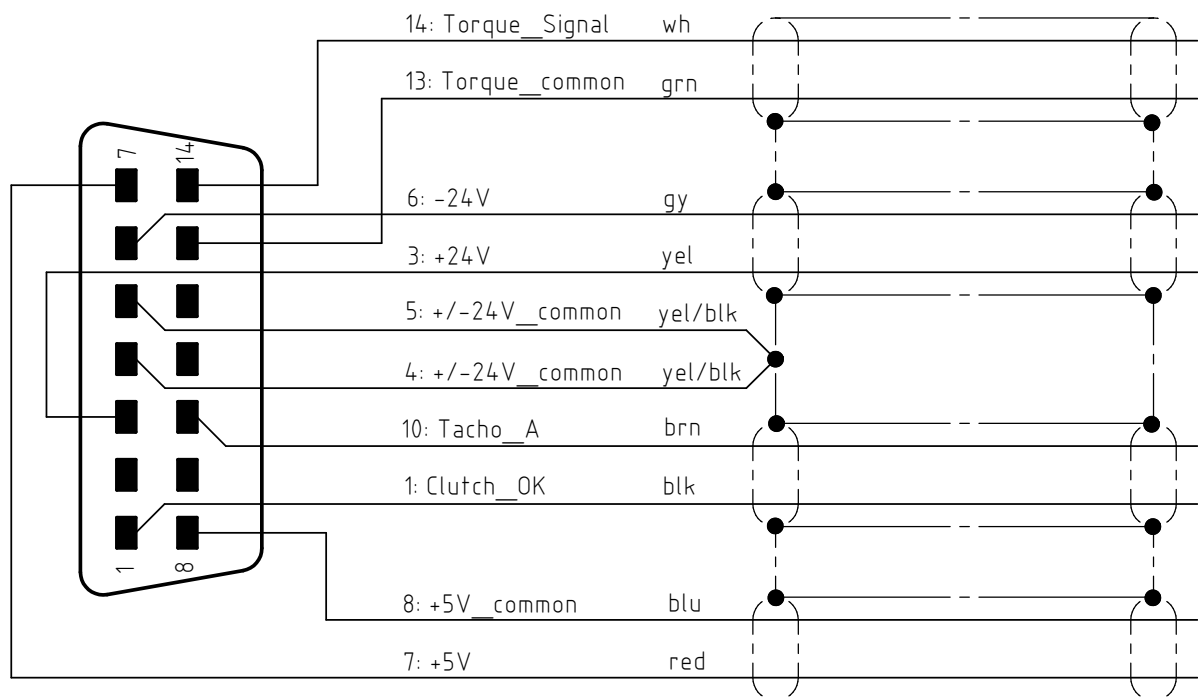


THE INFORMATION DISCLOSED HEREIN WAS ORIGINATED BY AND IS THE PROPERTY OF MAGTROL SA. MAGTROL SA RESERVES ALL PATENT PROPRIETARY, DESIGN, USE, SALE, MANUFACTURING AND REPRODUCTION RIGHTS THERETO.



CONNECTION DIAGRAM



Connector Cable plug 14 Pol P (front view)

6						
5						
4						
3						
2						
1	08.10.02	02062	C.S.	NB.	Cross recessed pan head screws were Slotted chesse head screws!	
Rev.	Date	PM	Drawn	Appr.	Repl. by :	
					Repl. for:	
Tolerances: ± mm to 50mm, ± mm over 50mm						
Material:					Scale	Drawn
Finish:					1:2	06.12.01
					Checked	C.S.
					Approved	11.03.02
						N.Buri
Torque Speed Conditioner Kits TSC 401 to Dyno 2.7 & 43					DRAWING N°	
					234-401-000V112	