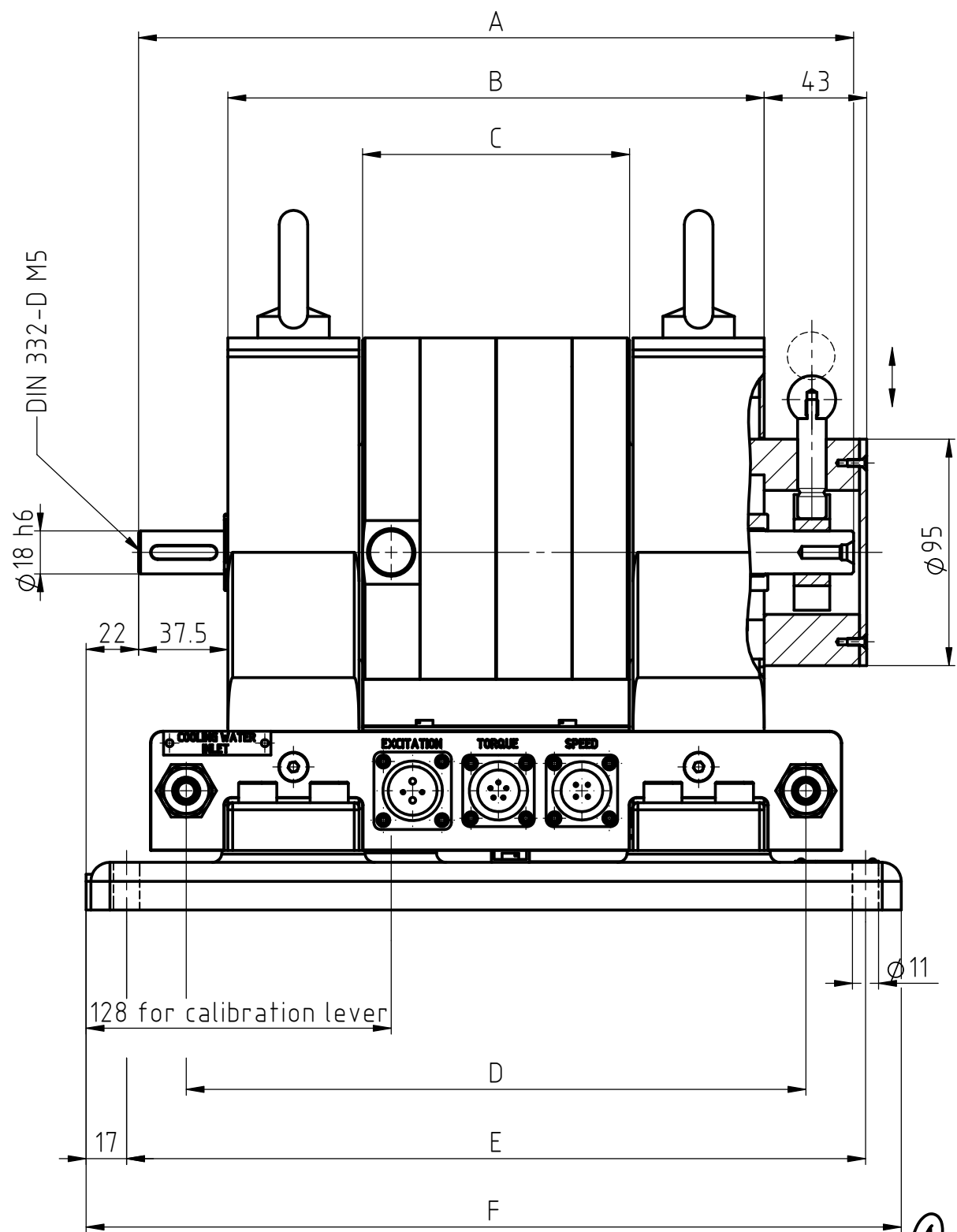
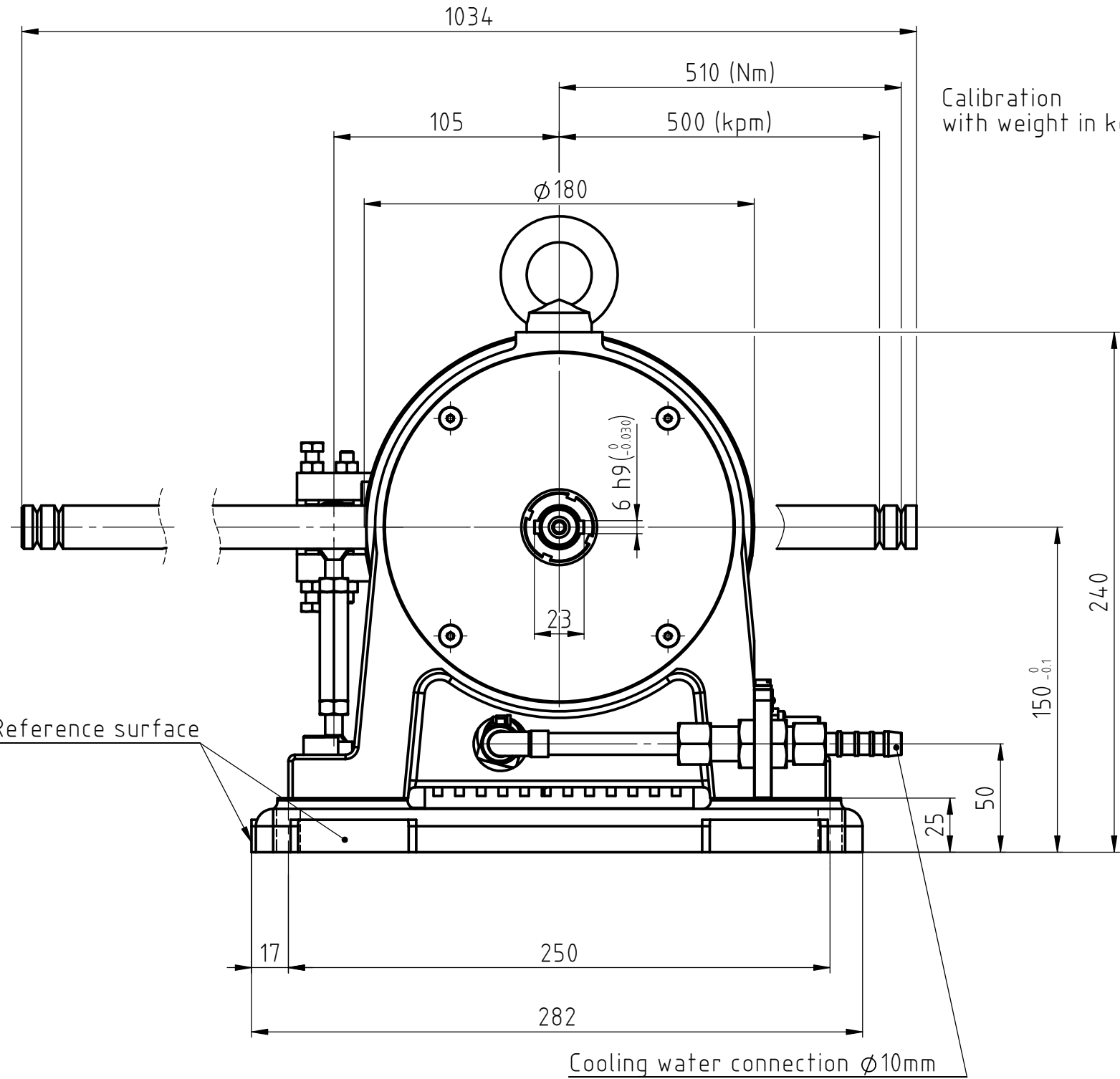


THE INFORMATION DISCLOSED HEREIN WAS ORIGINATED BY AND IS THE PROPERTY OF MAGTROL SA. MAGTROL SA RESERVES ALL PATENT PROPRIETARY, DESIGN, USE, SALE, MANUFACTURING AND REPRODUCTION RIGHTS THERETO.

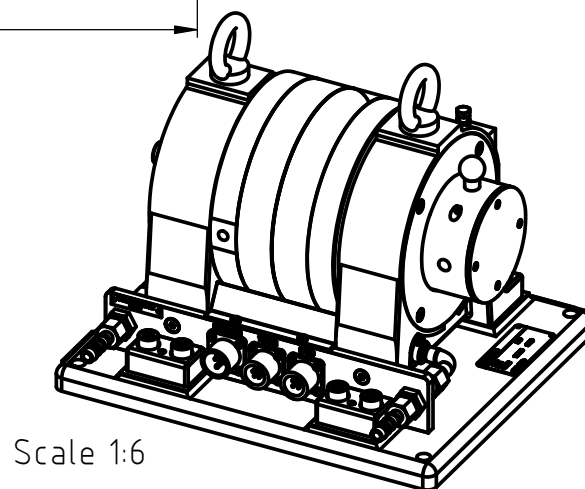


Reference surface



Calibration with weight in kg

Type	A	B	C	D	E	F
1WB 65-MB	300	225	112	260	310	342
2WB 65-MB	370	295	182	330	380	412



6						
5						
4						
3						
2						
1						

Rev.	Date	PM	Drawn	Appr.	Repl. by :
					Repl. for: id. 4.9.86

Tolerances: \pm mm to 50mm, \pm mm over 50mm

Material:	Scale	Drawn	20.02.02	A.Rappo
Finish:	1:2.5	Checked		
		Approved	20.02.02	N.Buri

Dynamometers 1+2WB 65-MB
with mechanical rotor locking device

DRAWING N°
312-105-000V101

