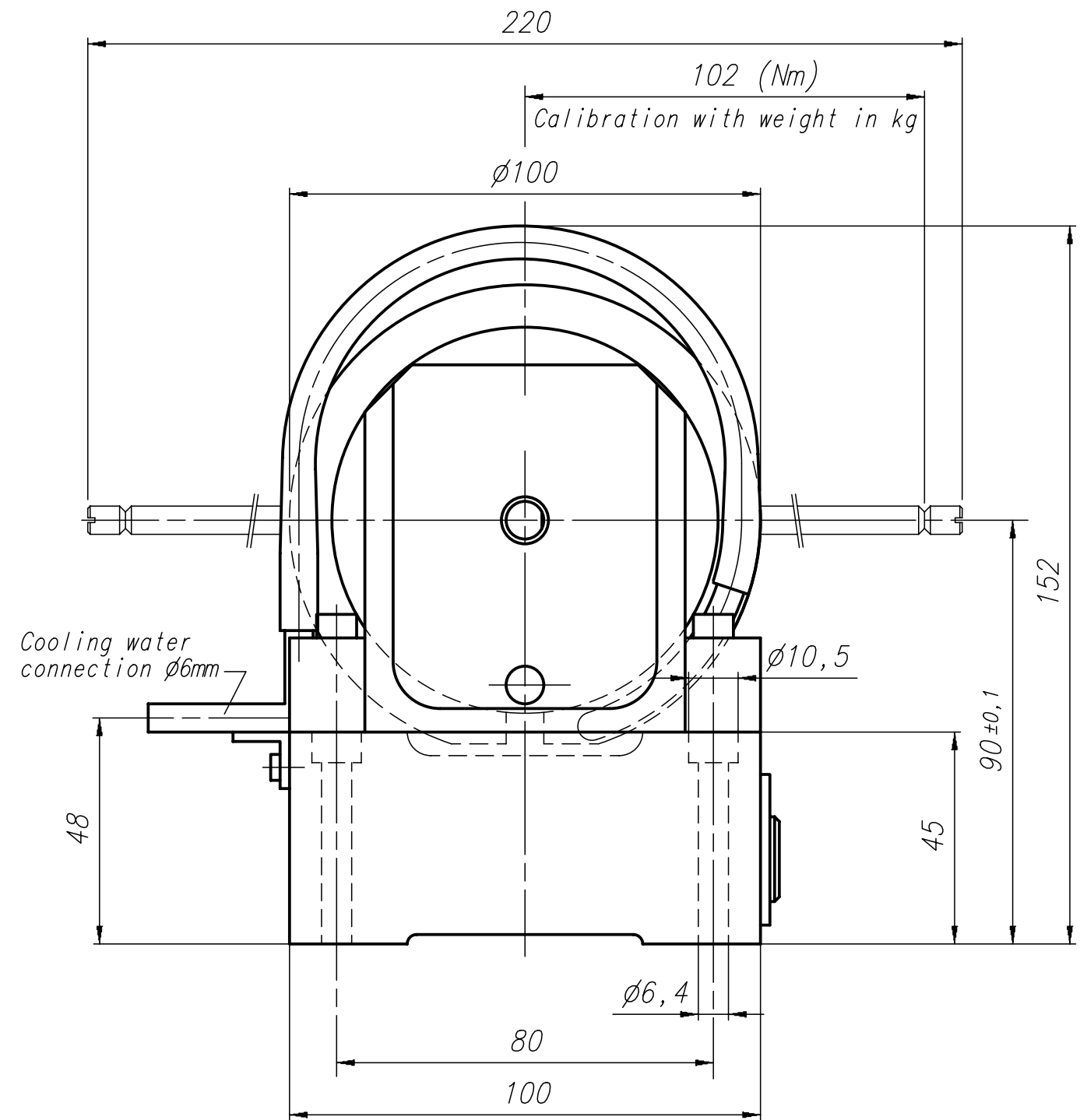
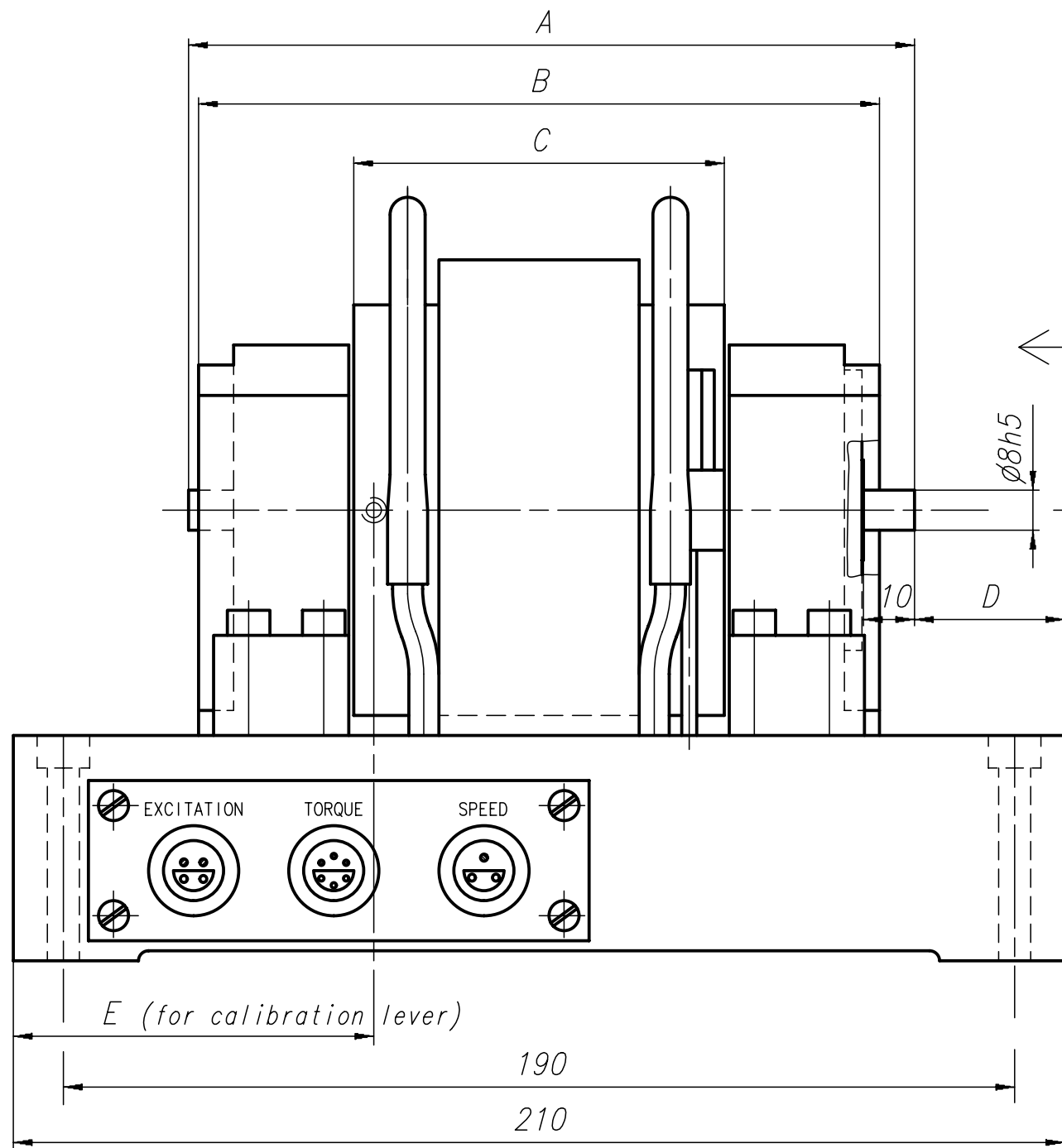


THE INFORMATION DISCLOSED HEREIN WAS ORIGINATED BY AND IS THE PROPERTY OF MAGTROL SA. MAGTROL SA RESERVES ALL PATENT, PROPRIETARY, DESIGN, USE, SALE, MANUFACTURING AND REPRODUCTION RIGHTS THERETO.



Type	A	B	C	D	E
1WB2, 7-8-K-HS	121	112	50	42	84
2WB2, 7-8-K-HS	145	136	74	30	72
3WB2, 7-8-K-HS	169	160	98	18	60
4WB2, 7-8-K-HS	193	184	122	6	48

6										
5										
4										
3										
2										
1										
Rev.	Date	PM	Drawn	Appr.	Repl. by :					
					Repl. for:					
Tolerances: ±						mm to 50 mm; ± mm over 50 mm				
Material:						Scale		Drawn	26.10.2003	arap
Finish :								Checked		
								Approved	26.10.2003	nbur
Dynamometers						DRAWING N°				
1-4WB2, 7-8-K-HS						315-111-000V052				

A B C D