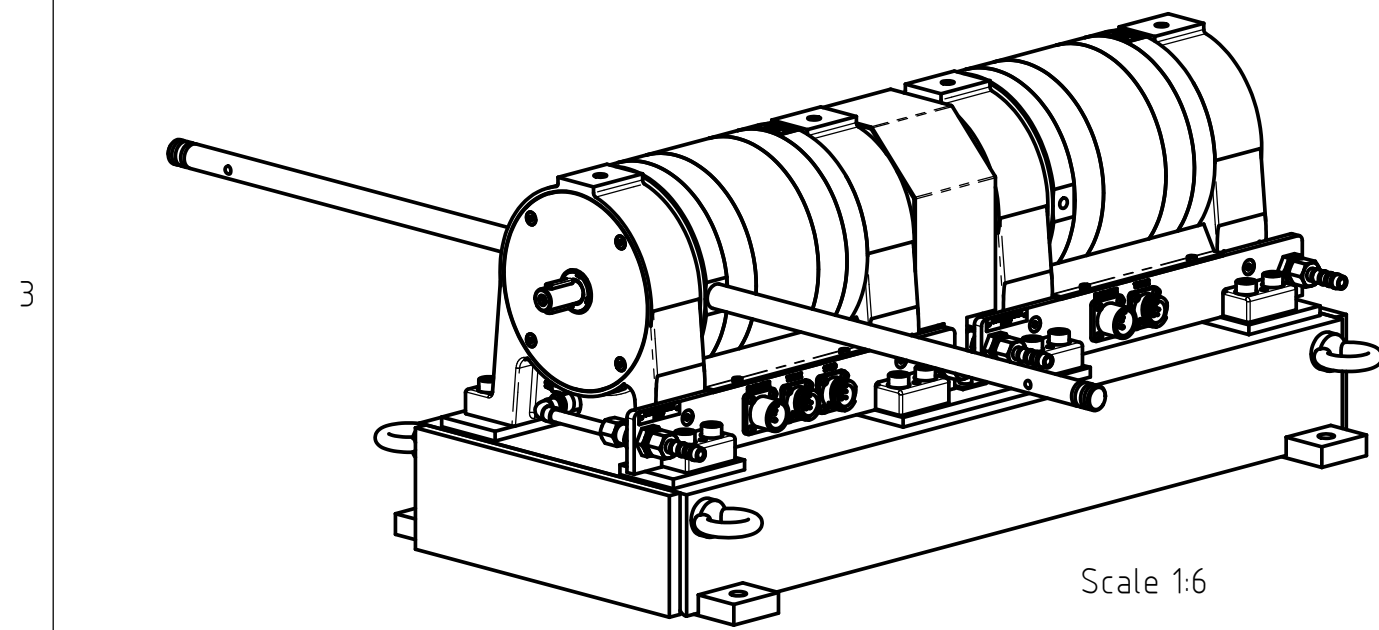
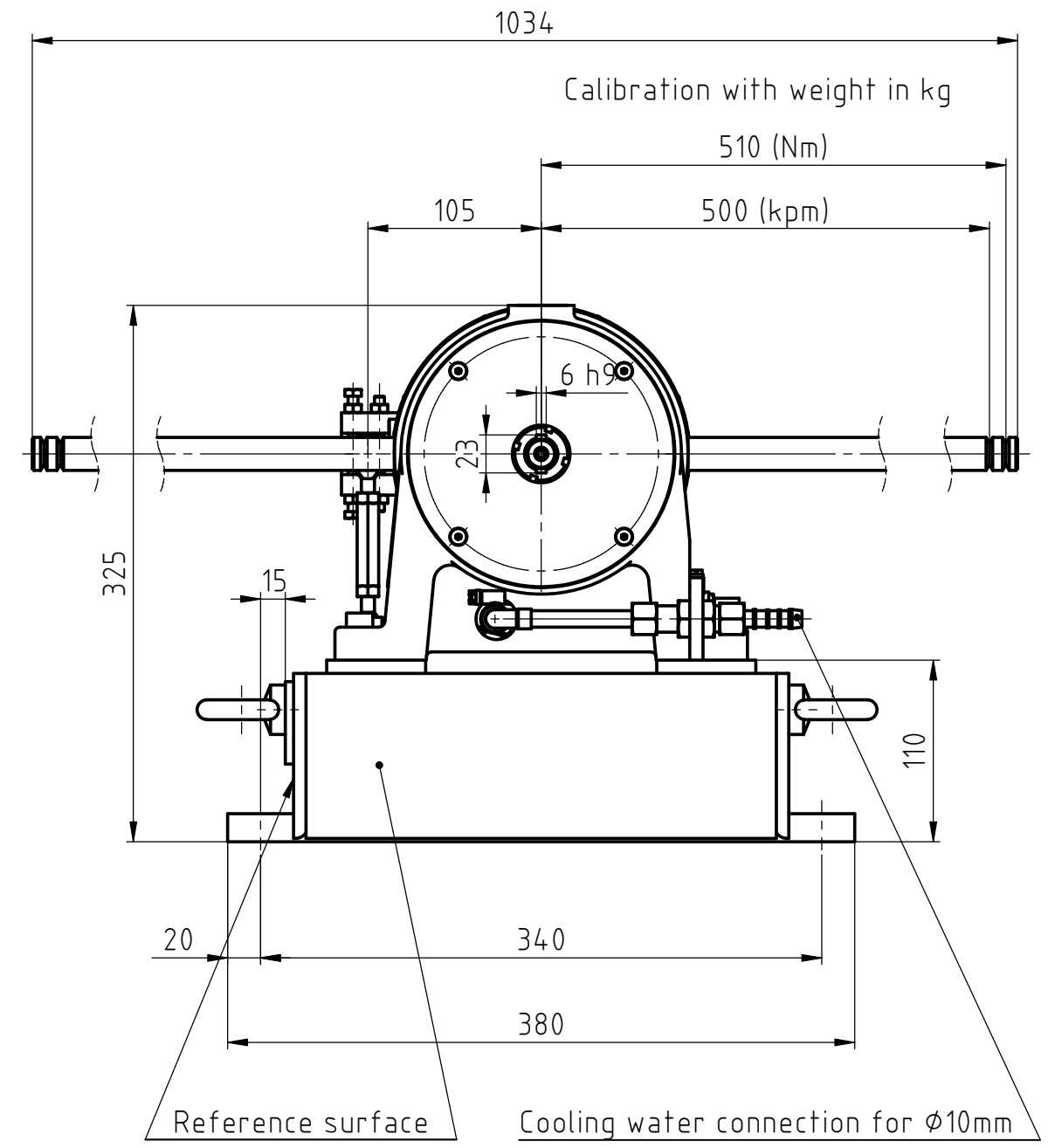
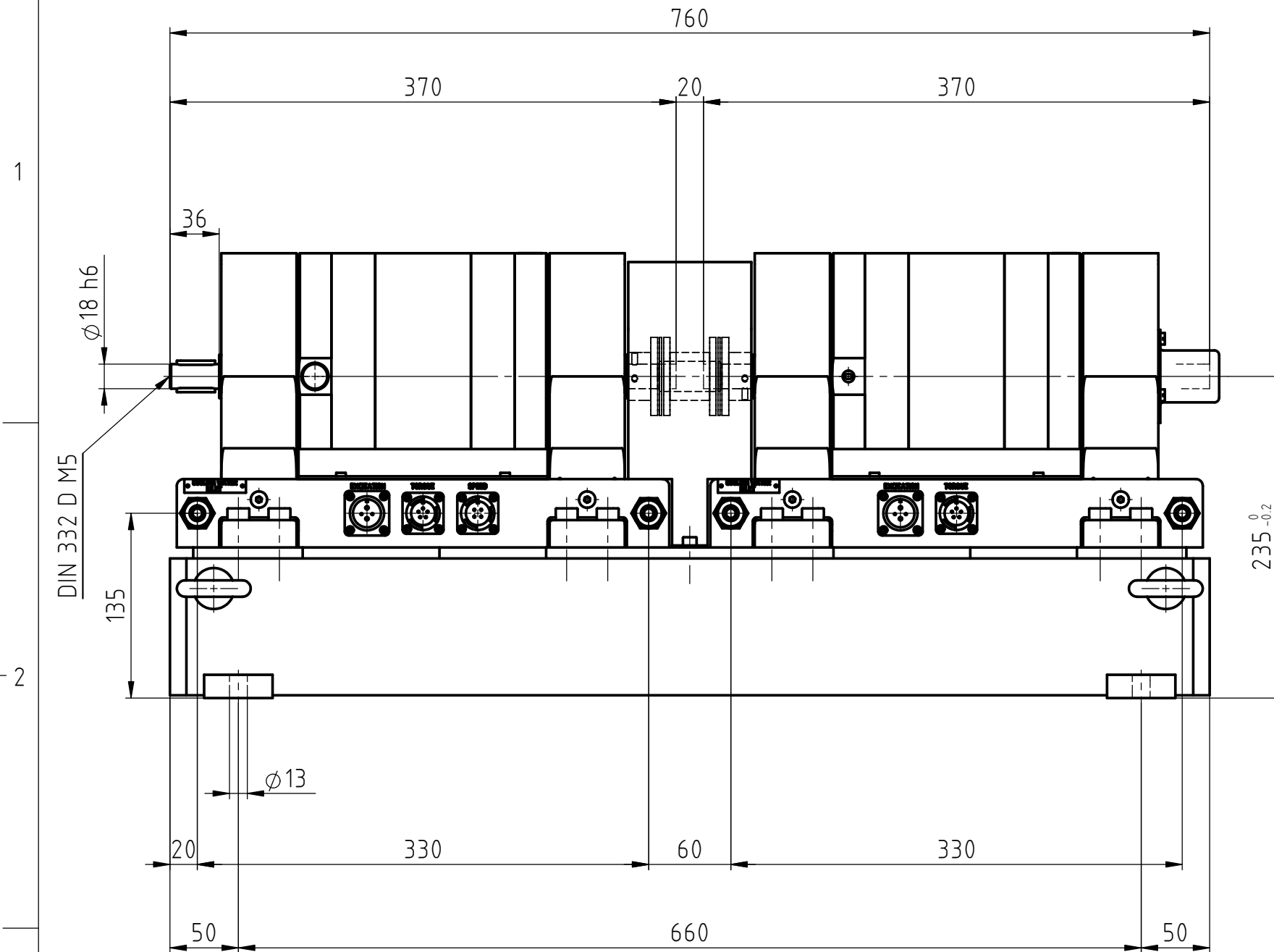


THE INFORMATION DISCLOSED HEREIN WAS ORIGINATED BY AND IS THE PROPERTY OF MAGTROL SA. MAGTROL SA RESERVES ALL PATENT PROPRIETARY, DESIGN, USE, SALE, MANUFACTURING AND REPRODUCTION RIGHTS THERETO.



6									
5									
4									
3									
2									
1									
Rev.	Date	PM	Drawn	Appr.	Repl. by :				
					Repl. for:				
Tolerances: \pm mm to 50mm, \pm mm over 50mm									
Material:						Scale		DRAWING N°	
Finish:						1:4		342-222-000V051	
Tandembremse									
2WB65+MK+2WB65									

MAGTROL SA
SWITZERLAND

Drawn	06.12.05	J.Sottaz
Checked		
Approved	07.12.05	N.Buri