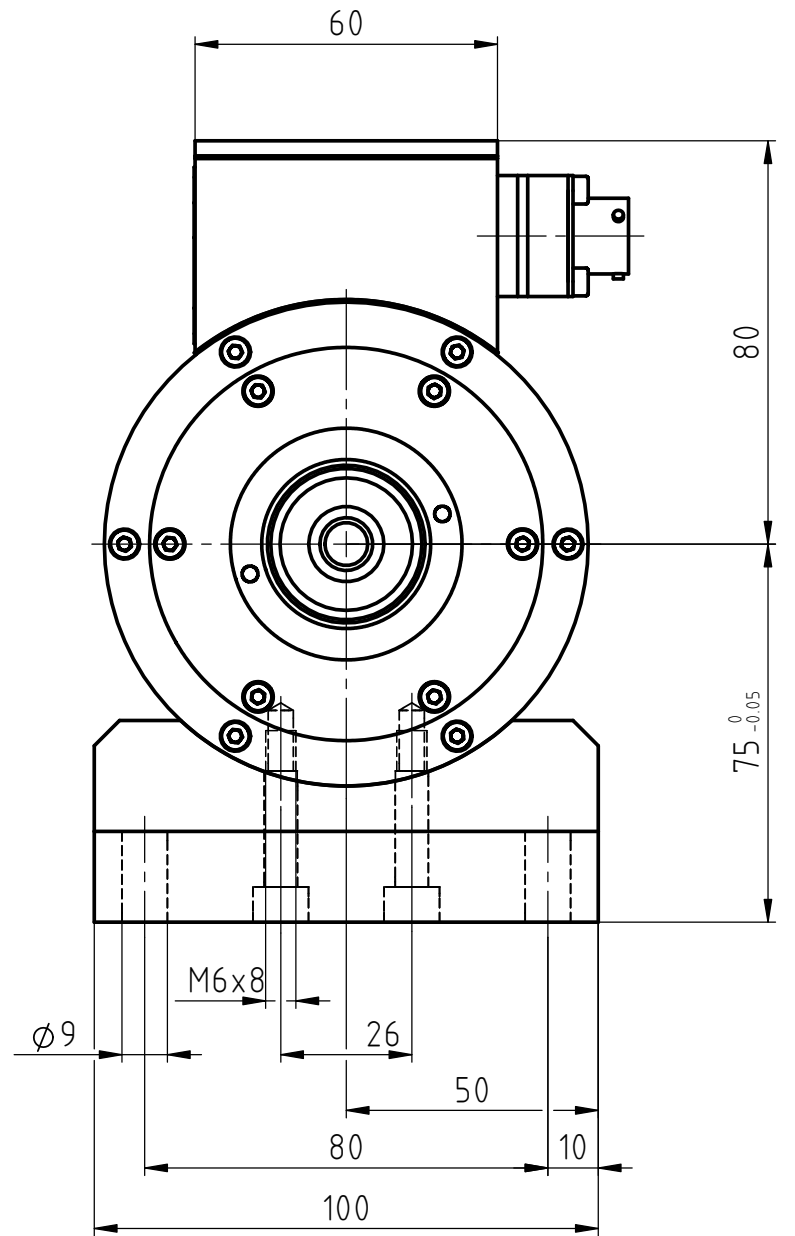
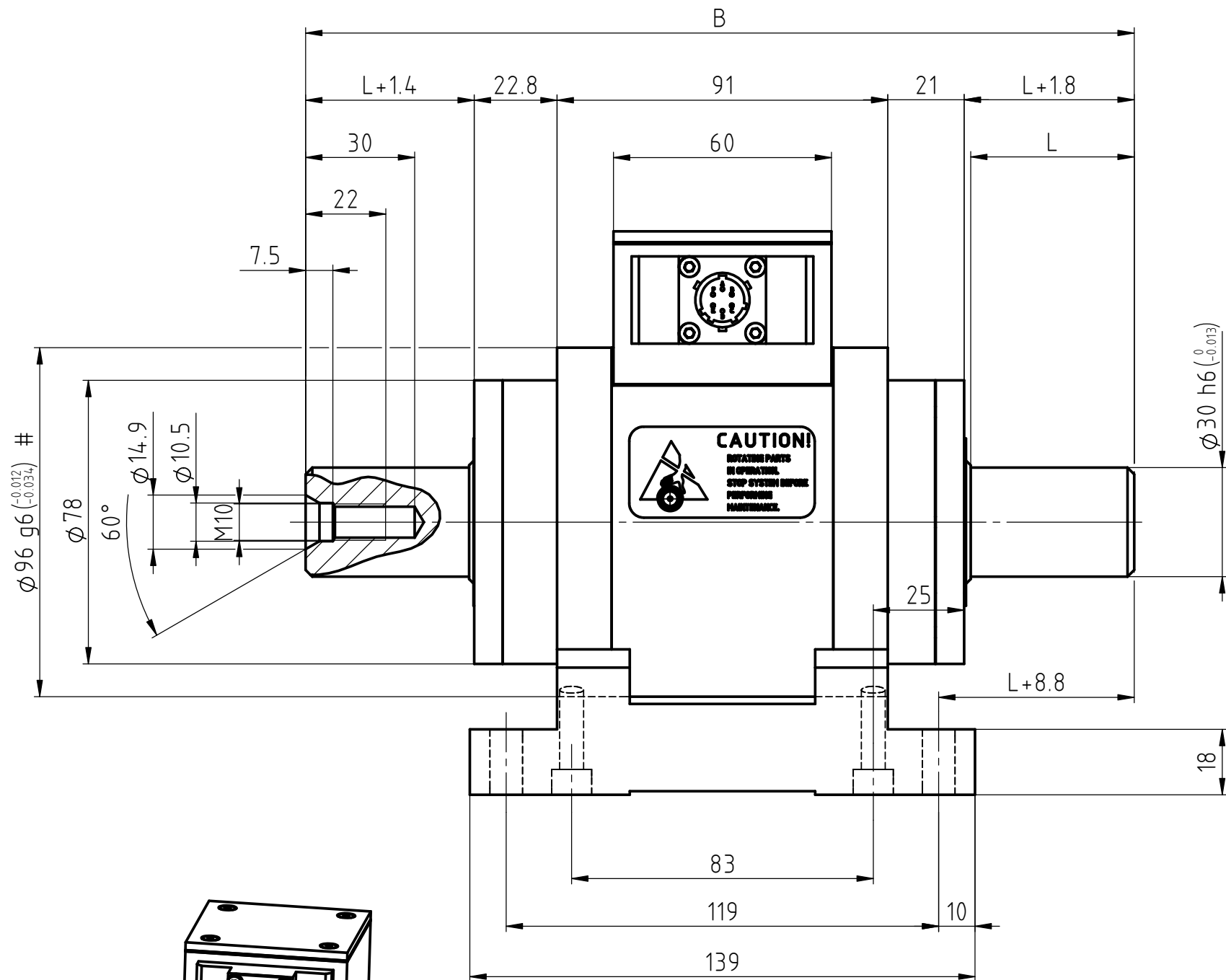


THE INFORMATION DISCLOSED HEREIN WAS ORIGINATED BY AND IS THE PROPERTY OF MAGTROL SA. MAGTROL SA RESERVES ALL PATENT PROPRIETARY, DESIGN, USE, SALE, MANUFACTURING AND REPRODUCTION RIGHTS THERETO.



# Centering seat.

6					
5					
4					
3					
2					
1					

Rev.	Date	PM	Drawn	Appr.	Repl. by :
					Repl. for:

Tolerances: ± 0.1 mm to 50mm, ± 0.2 mm over 50mm

Material:

Finish:

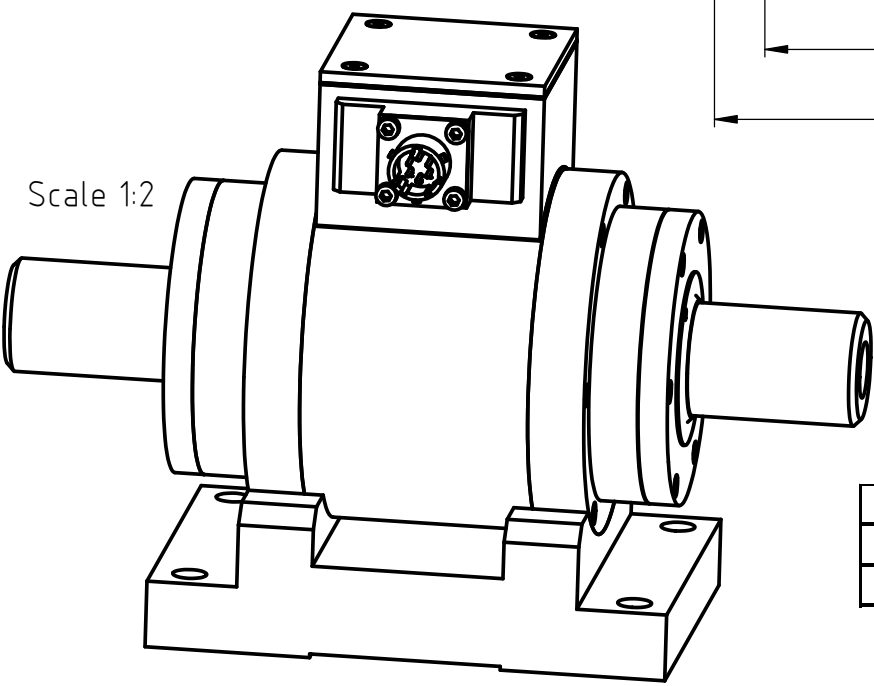


Scale	1:1.5	Drawn	18.11.04	J.Sottaz
		Checked		
		Approved	06.12.04	N.Buri

TORQUE TRANSDUCER TM 312÷313

SMOOTH SHAFT ENDS

DRAWING N°  
415-312-000V011



Type	P/N	B	L
TM 312	415-312-000-011	228	45
TM 313	415-313-000-011	248	55