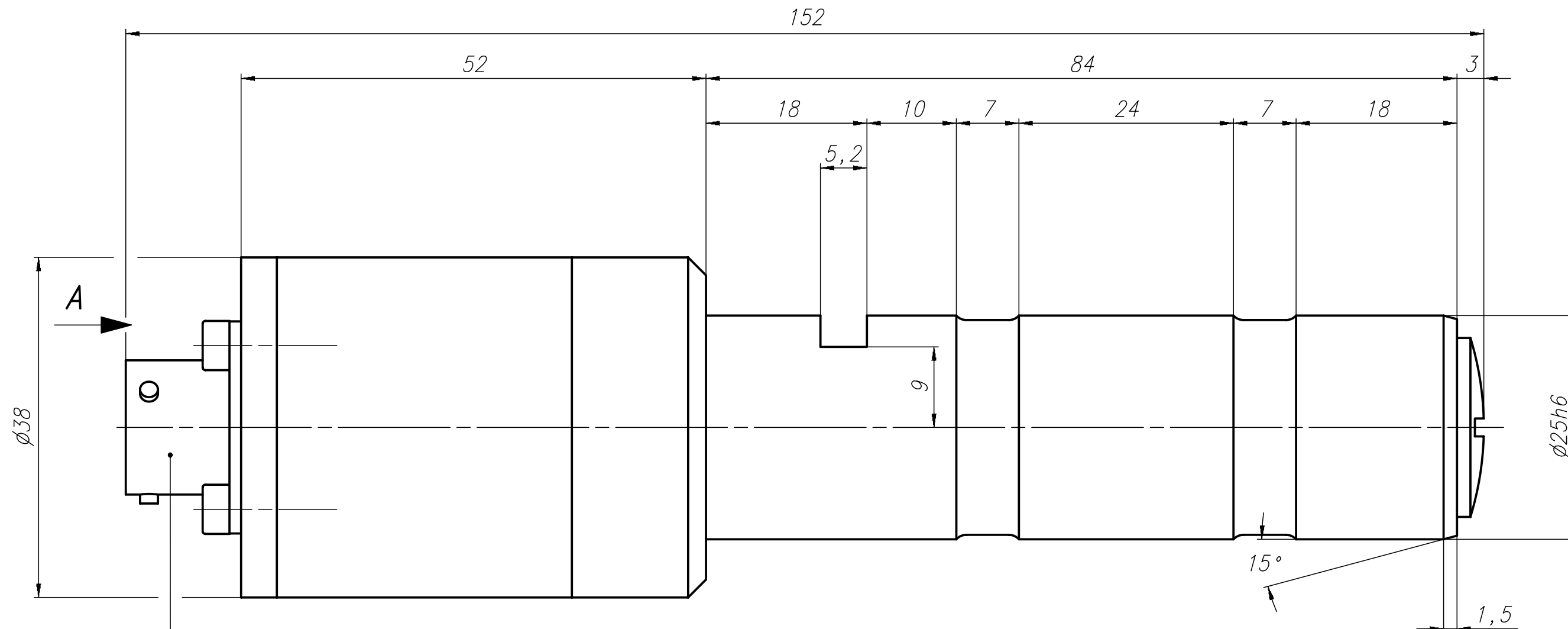
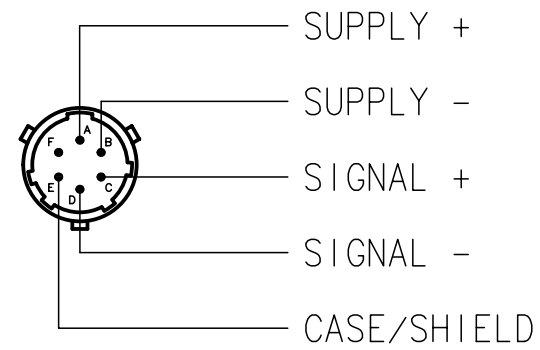
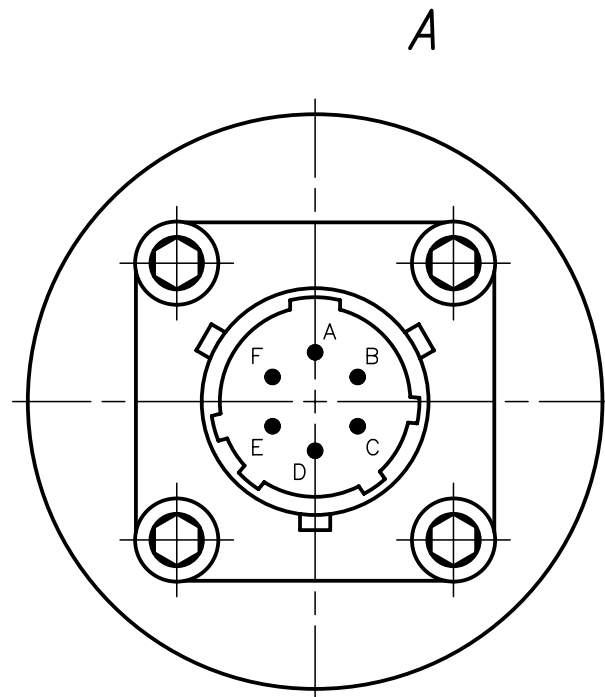


THE INFORMATION DISCLOSED HEREIN WAS ORIGINATED BY AND IS THE PROPERTY OF MAGTROL SA. MAGTROL SA RESERVES ALL PATENT, PROPRIETARY, DESIGN, USE, SALE, MANUFACTURING AND REPRODUCTION RIGHTS THERETO.



MS3112 E 10-6P



6										
5										
4										
3										
2										
1										
Rev.	Date	PM	Drawn	Appr.	Repl. by :					
					Repl. for:					
Tolerances: ±						mm to 50 mm; ±		mm over 50 mm		
Material: 1.4057						Scale		DRAWING N°		
Finish :						2:1		422-213-000V111		
LOAD MEASURING PIN WITH ELECTRONIC 0-10V 20kN										
P/N: 422-213-000-11X						TYPE: LU 213/11X				
								MAGTROL SA		
								C.S.		
								N.Buri		