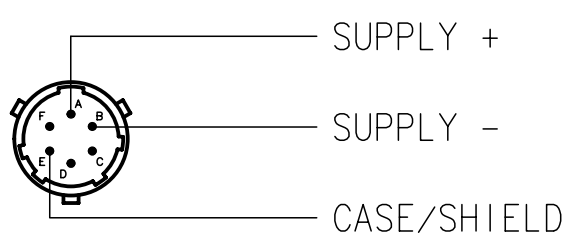
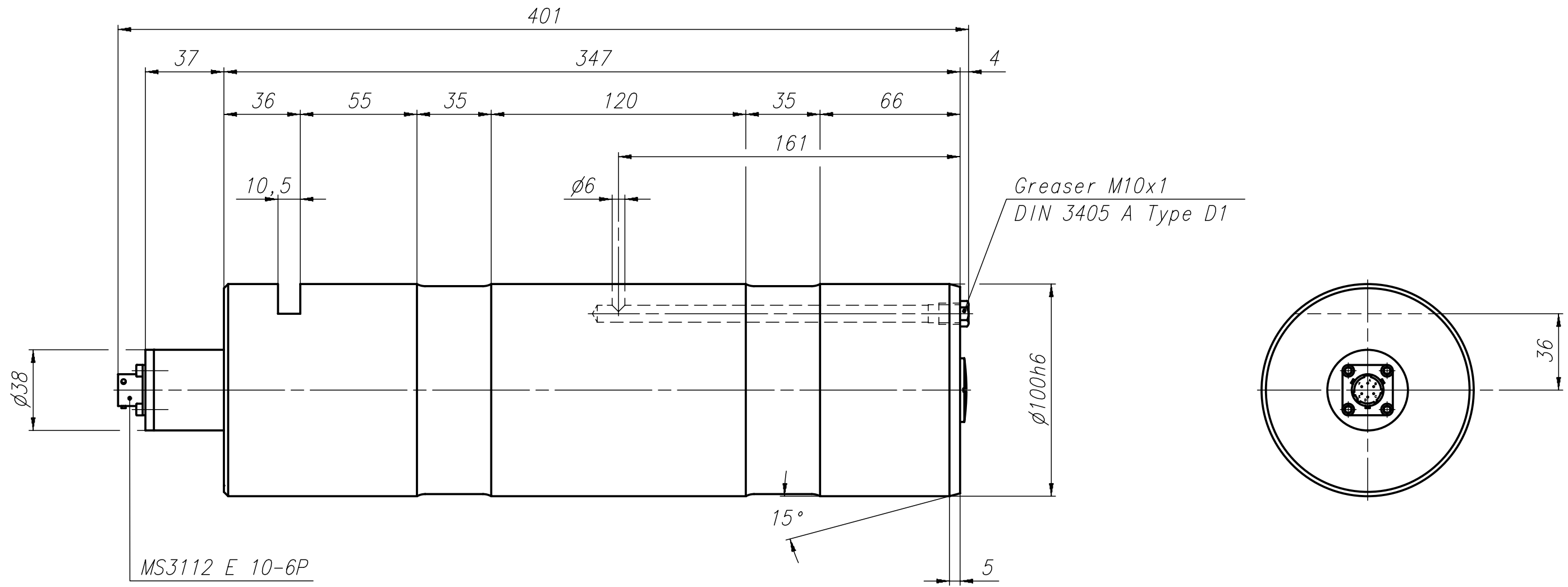


THE INFORMATION DISCLOSED HEREIN WAS ORIGINATED BY AND IS THE PROPERTY OF MAGTROL SA. MAGTROL SA RESERVES ALL PATENT, PROPRIETARY, DESIGN, USE, SALE, MANUFACTURING AND REPRODUCTION RIGHTS THERETO.



6											
5											
4											
3											
2											
1											
Rev.	Date	PM	Drawn	Appr.	Repl. by : 422-220-000V031 (PM-02086)			MAGTROL SA			
					Repl. for:						
Tolerances: ± mm to 50 mm; ± mm over 50 mm								Scale 1:2	Drawn	02.04.03	C.S.
Material: 1.4057									Checked		
Finish :									Approved	08.04.03	N.Buri
LOAD MEASURING PIN WITH ELECTRONIC 4-20 mA 1000kN							DRAWING N°		422-220-000V033		
P/N: 422-220-000-03X				TYPE: LE 220/03X							